

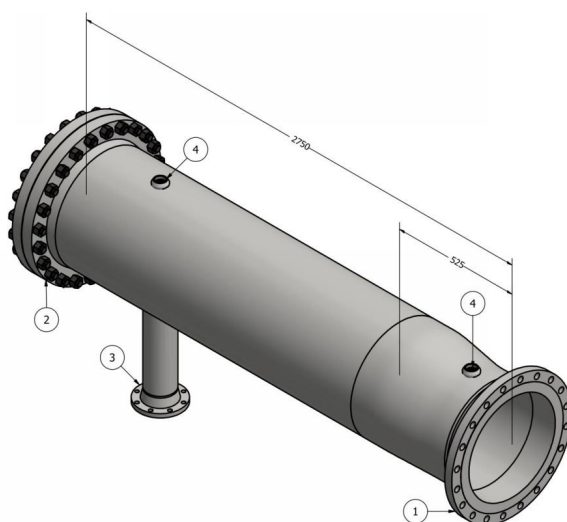
## Pig Trap 24 inch 150#

### Description

PRS International provides and installs pig launching and receiving installations for oil, gas and liquid installations. PRS International is capable to provide launchers and receivers of any size and pressure rating. All launchers / receivers are fully certified and tested before they are send to the costumer.

PRS International Launchers and receivers are designed to accommodate displacement, cleaning, scraper pigs and ILI pigs or any other type of pig. PRS International provides complete solutions for pipeline jobs such as cleaning, drying or displacements.

We have a range of launchers and receivers vary from 4 inch to 48 inch in sizes. See table below for the connections and the specific dimensions of the 24 inch 150# pig trap.



#	Type connections
1	24"WN 150# RF Flange
2	26"WN 150# RF Flange
3	6"WN 150# RF Flange
4	2" NPT Threadolet
All inserts are available for ILI tools	

Parameter	Range
Overall length	24"WN 150# RF Flange
Barrel length	26"WN 150# RF Flange
Nominal length	6"WN 150# RF Flange
Flange Class	2" NPT Threadolet
Pipe size	SCH40
Design pressure	12 BARG
Weight	390 kg
Serial no	24-TH-LR-01/02